

ELECTRIC POWERED FORKLIFT 1.5 to 3.0 TON

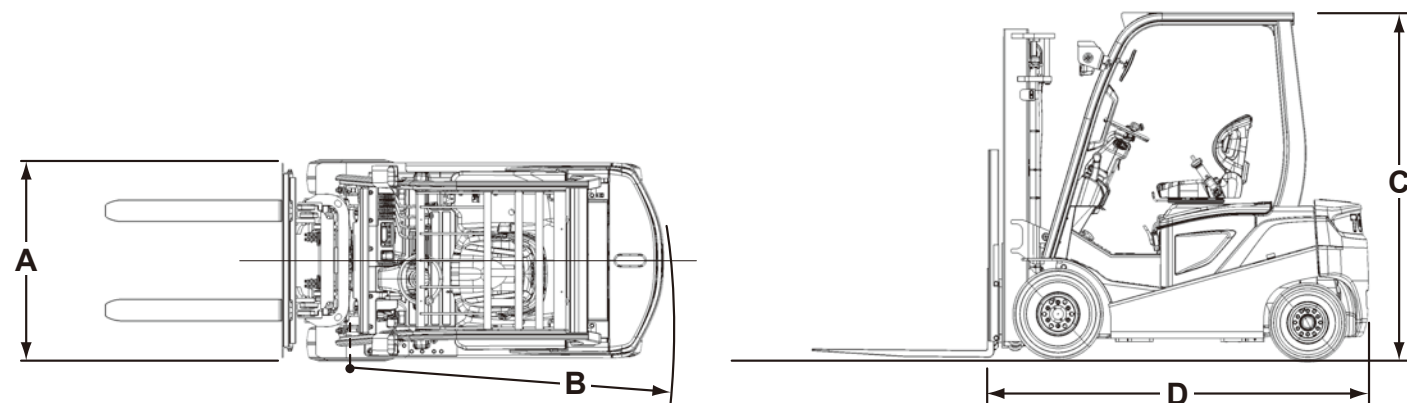
MAIN SPECIFICATIONS

Model		8FBN15/60-8FBN15	8FBN18/60-8FBN18	8FBN20/60-8FBN20	8FBN25/60-8FBN25	8FBN30
Load Capacity	kg	1500	1750	2000	2500	3000
Load Center	mm	500	500	500	500	500
Overall Width	A mm	1060	1065	1180	1180	1235
Turning Radius (outside)	B mm	1770	1780	1980	2000	2210
Overhead Guard Height	C mm	2085	2095	2085	2085	2255
Length to Fork Face	D mm	2080	2115	2250	2325	2485
Electric Motors	Drive	kW	7.6	7.6	10.7	10.7
	Load Handling	kW	9.5	9.5	12.2	12.2
						14.4

BATTERY SPECIFICATIONS

Model			8FBN15	8FBN18	8FBN20	8FBN25	8FBN30
Lead-acid battery Voltage/Capacity (5-hour ratings)	Min.	V/Ah	48/390	48/390	48/470	48/565	80/370
	Max.	V/Ah	48/565	48/565	48/725	48/725	80/480

Model			60-8FBN15	60-8FBN18	60-8FBN20	60-8FBN25
Lithium-ion battery Voltage/Capacity (5-hour ratings)	Min.	V/Ah	48/456	48/456	48/604	48/604
	Max.	V/Ah	48/604	48/604	-	-



The data in this brochure was determined based on our standard testing condition. Operating performance may vary depending on the actual specifications and condition of the vehicle, as well as the conditions of the operating area.
 Due to photography and printing, color of actual vehicle may vary from this brochure. Some photos have been computer-enhanced.
 Photographs include optional equipment, and not all optional equipment is appropriate for all applications.
 Availability and specifications are determined by market and are subject to change without notice.
 Safe forklift operation is achieved by proper operator training and proper worksite rules. Please consult your Toyota representative regarding forklift selection and operator training.
 Please consult your Toyota representative for details.



All rights reserved by Toyota Industries Corporation.

8FBN SERIES



TOYOTA MATERIAL HANDLING INTERNATIONAL

CAT.8FBN15-30 (E)/E-2207/©/Printed in Japan/No.711430E0/000



8FB SERIES



Features and equipment may vary depending on market.

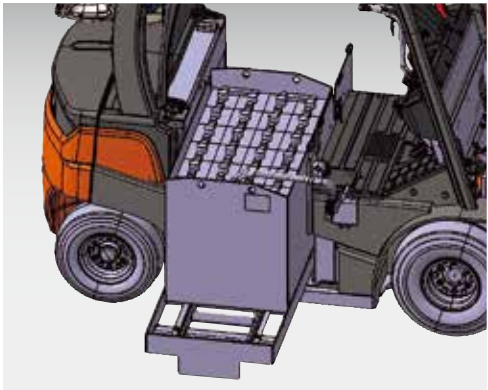
HIGH PRODUCTIVITY AND EFFICIENCY

Long operating times and assisting features for even more productive operations.

Quick and easy battery exchange for even more efficient work.

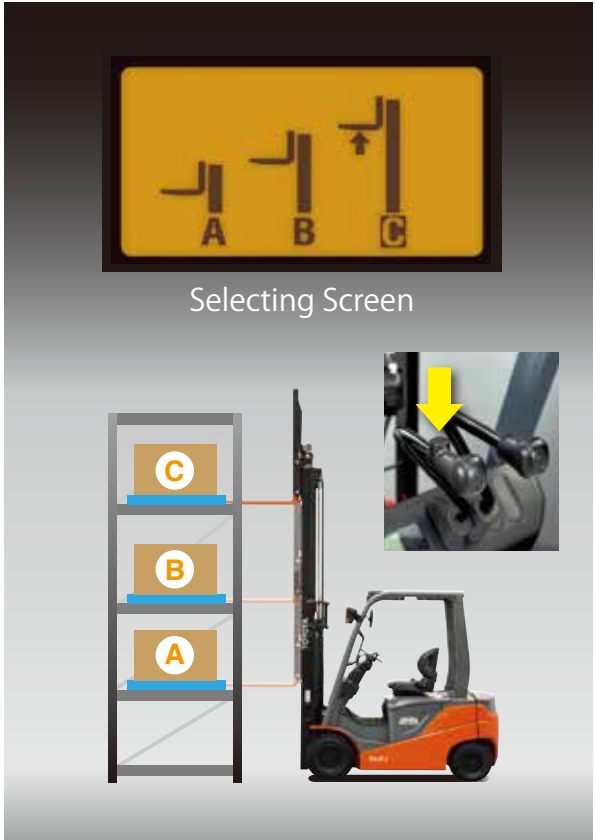


Battery Side-out* OPT



Battery Roll-out* OPT

Positions your lift height with a single touch of the button.

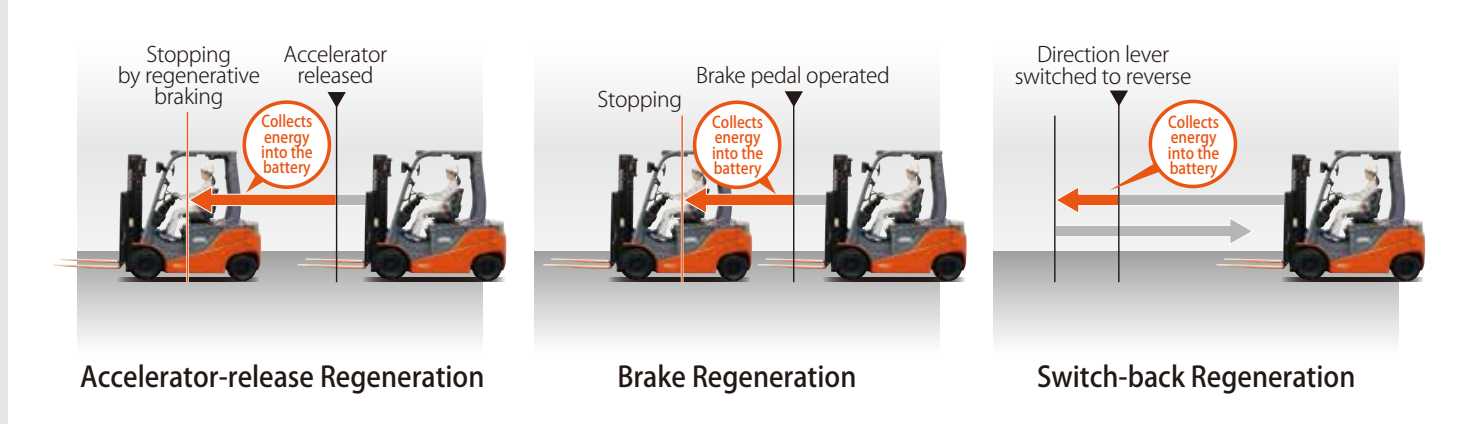


Height Selector* OPT

* Not available for 3.0 ton model.

Realizes long operating times with efficient energy recovery.

- Auto Power-off Function
- Regenerative Systems



S mode achieves both long operating times and comfortable operations. H mode is also available for demanding operations.



Power Select Function

For operators who want more travelling power only on slopes without adjusting power mode through multi-function display.



NEW Slope Sensing Auto Power Mode Selector OPT