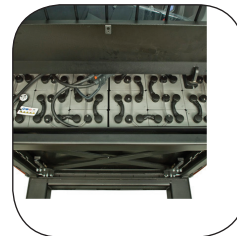


# Very narrow aisle truck 1.25 ton

## BT vector

*R-series*

VRE125SF



# Very Narrow Aisle truck

| Truck specifications |                |  |                       |           | VRE125SF      |
|----------------------|----------------|--|-----------------------|-----------|---------------|
| Identification       | 1.1            | Manufacturer   |                       |           | Toyota        |
|                      | 1.2            | Model  |                       |           | VRE125SF      |
|                      | 1.3            | Drive  |                       |           | Electric      |
|                      | 1.4            | Operator type  |                       |           | Seated        |
|                      | 1.5            | Load capacity/rated load                               | Q                     | kg        | 1250          |
|                      | 1.6            | Load centre  | c                     | mm        | 600           |
|                      | 1.9            | Wheelbase  | y                     | mm        | 2137/2537     |
| Weight               | 2.1            | Service weight including battery                       |                       | kg        | 4630          |
|                      | 2.2            | Axle load, with load, drive/support arm wheel          |                       | kg        | 2411/3477     |
|                      | 2.3            | Axle load, without load, drive/support arm wheel       |                       | kg        | 1983/2647     |
| Wheels               | 3.1            | Drive/support arm wheel                                |                       |           | Vulkollan     |
|                      | 3.2            | Wheel size, front                                      |                       | mm        | Ø 230x110     |
|                      | 3.3            | Wheel size, rear                                       |                       | mm        | Ø 400x160     |
|                      | 3.5            | Wheels, number front/rear (x = driven wheels)          |                       |           | 4/1x          |
|                      | 3.6            | Track width, front                                     | $b_{10}$              | mm        | 1220          |
|                      | Dimensions     | 4.2  | Height, mast lowered  | $h_1$     | mm            |
| 4.3                  |                | Free lift  | $h_2$                 | mm        | 2090 *        |
| 4.4                  |                | Lift   | $h_3$                 | mm        | 6035 *        |
|                      |                | Lift height  | $h_{23}$              | mm        | 6400 *        |
| 4.5                  |                | Height, mast extended                                  | $h_4$                 | mm        | 7965 *        |
| 4.7                  |                | Height of overhead guard                               | $h_6$                 | mm        | 2261          |
| 4.8                  |                | Seat height  | $h_7$                 | mm        | 1100          |
| 4.15                 |                | Height of lowered forks                                | $h_{13}$              | mm        | 365           |
| 4.19                 |                | Overall length   | $l_1$                 | mm        | 2740/3140     |
| 4.21                 |                | Overall width  | $b_1$                 | mm        | 1375/1490     |
| 4.22                 |                | Fork dimensions  | s/e/l                 | mm        | 75/180/1200 * |
| 4.25                 |                | Width over forks                                       | $b_5$                 | mm        | 550           |
| 4.31                 |                | Ground clearance, with load, below mast                | $m_1$                 | mm        | 70            |
| 4.32                 |                | Ground clearance, centre of wheelbase                  | $m_2$                 | mm        | 60            |
| 4.34                 |                | Aisle width for pallets 800x1200 lengthways            | $A_{st}$              | mm        | 1450 *        |
| 4.35                 | Turning radius | $W_a$  | mm                    | 2389/2789 |               |
| Performance data     | 5.1            | Travel speed, with/without load                        |                       | km/h      | 11,25/14      |
|                      | 5.2            | Lift speed, with/without load                          |                       | m/s       | 0,40/0,50     |
|                      | 5.3            | Lowering speed, with/without load                      |                       | m/s       | 0,50/0,48     |
|                      | 5.9            | Acceleration time, with/without load (0-10m)           |                       | s         | 5,7/5,2       |
|                      | 5.10           | Service brake  |                       |           | Electric      |
| Electric motor       | 6.1            | Drive motor rating S2 60 min                           |                       | kW        | 7,5           |
|                      | 6.2            | Lift motor rating S3 15%                               |                       | kW        | 15            |
|                      | 6.4            | Battery voltage, nominal capacity $K_5$                |                       | V/Ah      | 48/620 *      |
|                      | 6.5            | Battery weight   |                       | kg        | 956 *         |
|                      | 6.6            | Energy consumption acc to VDI cycle <sup>1)</sup>      |                       | kWh/h     |               |
|                      | Other          | 8.1  | Type of drive control |           |               |
| 8.4                  |                | Sound level at the driver's ear according to EN 12 053 |                       | dB(A)     | 61            |

1) Contact your supplier for information

\* Other dimensions available

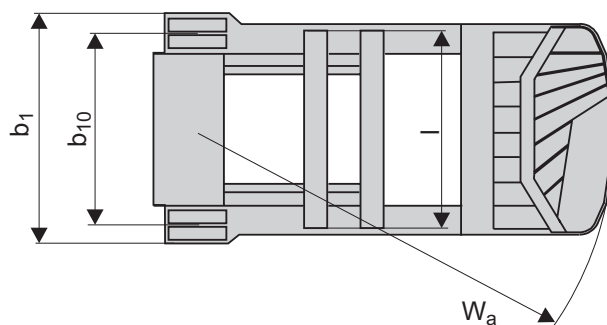
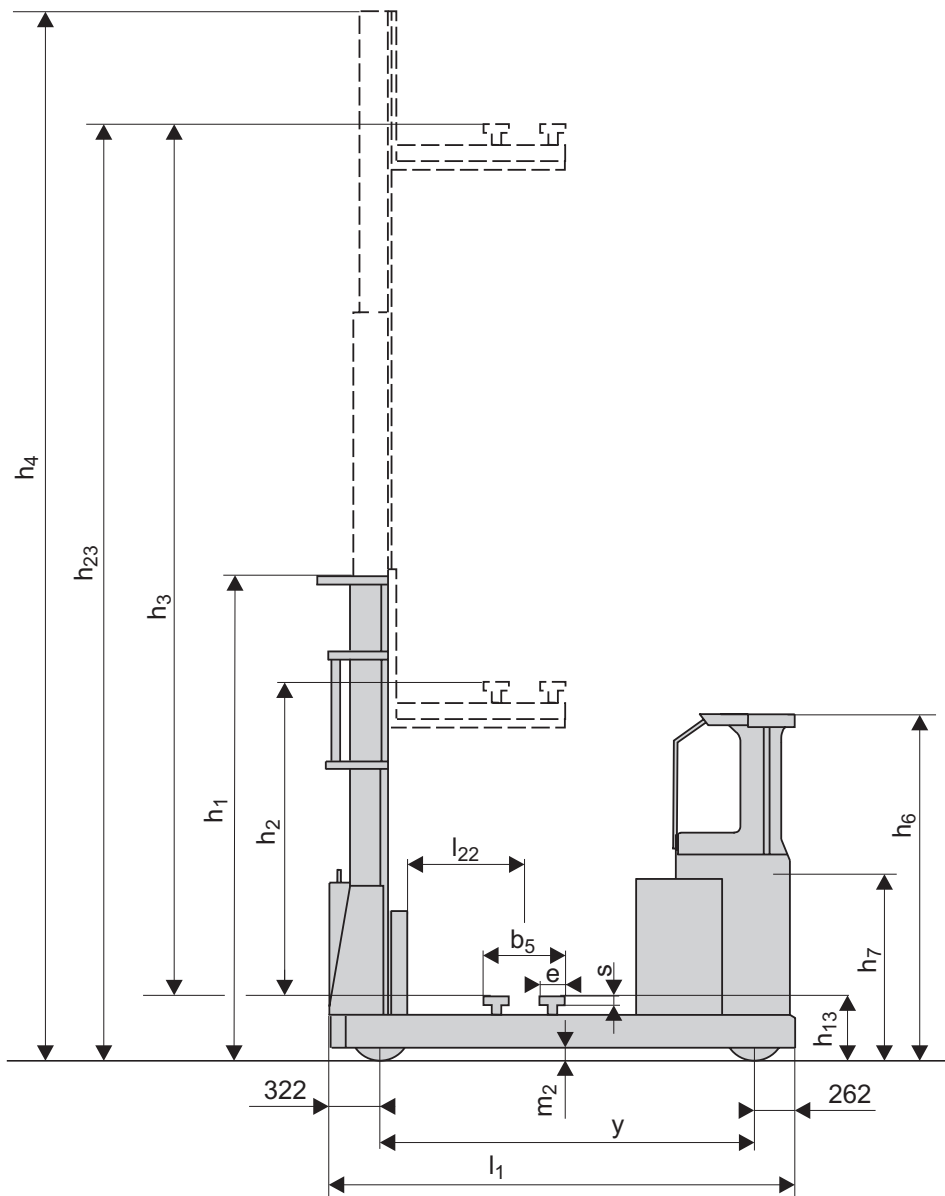
Truck performance and dimensions are nominal and subject to tolerances.

BT products and specifications are subject to change without notice.

# Mast dimensions

# BT vector

| Mast     |                       |          |    | Triplex Hi-Lo |      |      |      |      |      |      |      |       |       |       |
|----------|-----------------------|----------|----|---------------|------|------|------|------|------|------|------|-------|-------|-------|
| VRE125SF | Lift height           | $h_{23}$ | mm | 4600          | 5200 | 5800 | 6400 | 7300 | 7900 | 8500 | 9100 | 9700  | 10300 | 11300 |
|          | Lift                  | $h_3$    | mm | 4525          | 5125 | 5725 | 6325 | 7225 | 7825 | 8425 | 9025 | 9625  | 10225 | 11225 |
|          | Height, mast lowered  | $h_1$    | mm | 2535          | 2735 | 2935 | 3135 | 3570 | 3770 | 3970 | 4170 | 4505  | 4705  | 5035  |
|          | Free lift             | $h_2$    | mm | 1490          | 1690 | 1890 | 2090 | 2524 | 2724 | 2924 | 3124 | 3458  | 3658  | 3990  |
|          | Height, mast extended | $h_4$    | mm | 5265          | 5865 | 6465 | 7065 | 7965 | 8565 | 9165 | 9765 | 10365 | 10965 | 11965 |



---

## Truck features:

- Total view concept
- Car pedal layout
- Automatic parking brake
- TLC, Transitional Lift Control
- 360° steering
- Simultaneous hydraulic control
- Single function levers or multi function control
- Heavy duty drive unit and gear box

