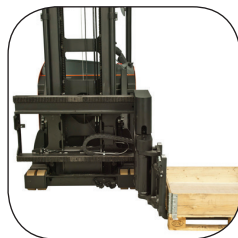


Very narrow aisle truck 1.25 ton

BT vector

R-series

VRE125



Very Narrow Aisle truck

| Truck specifications | | | | | VRE125 |
|----------------------|---|--|-----------------------|-------|---------------|
| Identification | 1.1 | Manufacturer | | | Toyota |
| | 1.2 | Model | | | VRE125 |
| | 1.3 | Drive | | | Electric |
| | 1.4 | Operator type | | | Seated |
| | 1.5 | Load capacity/rated load | Q | kg | 1250 |
| | 1.6 | Load centre | c | mm | 600 |
| | 1.9 | Wheelbase | y | mm | 1692 |
| Weight | 2.1 | Service weight including battery | | kg | 4685 |
| | 2.2 | Axle load, with load, drive/support arm wheel | | kg | 1193/4743 |
| | 2.3 | Axle load, without load, drive/support arm wheel | | kg | 1800/2885 |
| Wheels | 3.1 | Drive/support arm wheel | | | Vulkollan |
| | 3.2 | Wheel size, front | | mm | Ø 230x110 |
| | 3.3 | Wheel size, rear | | mm | Ø 400x160 |
| | 3.5 | Wheels, number front/rear (x = driven wheels) | | | 4/1x |
| | 3.6 | Track width, front | b_{10} | mm | 1038/1148 |
| | Dimensions | 4.2 | Height, mast lowered | h_1 | mm |
| 4.4 | | Lift | h_3 | mm | 5595 * |
| | | Lift height | h_{23} | mm | 5675 * |
| 4.5 | | Height, mast extended | h_4 | mm | 6750 * |
| 4.7 | | Height of overhead guard | h_6 | mm | 2261 |
| 4.8 | | Seat height | h_7 | mm | 1100 |
| 4.15 | | Height of lowered forks | h_{13} | mm | 80 |
| 4.19 | | Overall length | l_1 | mm | 3175 |
| 4.20 | | Length to face of forks | l_2 | mm | 2955 |
| 4.21 | | Overall width | b_1 | mm | 1420 |
| 4.22 | | Fork dimensions | s/e/l | mm | 40/120/1200 * |
| 4.24 | | Fork-carriage width | b_3 | mm | 800 * |
| 4.25 | | Width over forks | b_5 | mm | 489-793 * |
| 4.31 | | Ground clearance, with load, below mast | m_1 | mm | 70 |
| 4.32 | | Ground clearance, centre of wheelbase | m_2 | mm | 60 |
| 4.34 | | Aisle width for pallets 800x1200 lengthways | A_{st} | mm | 1660 * |
| 4.35 | Turning radius | W_a | mm | 1954 | |
| 4.38 | Distance to swivelling fork pivot from centre of front axle | l_8 | mm | 821 | |
| Performance data | 5.1 | Travel speed, with/without load | | km/h | 10/12 |
| | 5.2 | Lift speed, with/without load | | m/s | 0,29/0,37 |
| | 5.3 | Lowering speed, with/without load | | m/s | 0,50/0,48 |
| | 5.9 | Acceleration time, with/without load (0-10m) | | s | 5,7/5,2 |
| | 5.10 | Service brake | | | Electric |
| Electric motor | 6.1 | Drive motor rating S2 60 min | | kW | 7,5 |
| | 6.2 | Lift motor rating S3 15% | | kW | 11 |
| | 6.4 | Battery voltage, nominal capacity K_s | | V/Ah | 48/620 |
| | 6.5 | Battery weight | | kg | 956 |
| | 6.6 | Energy consumption acc to VDI cycle ¹⁾ | | kWh/h | |
| | Other | 8.1 | Type of drive control | | |
| 8.4 | | Sound level at the driver's ear according to EN 12 053 | | dB(A) | 65 |

1) Contact your supplier for information.

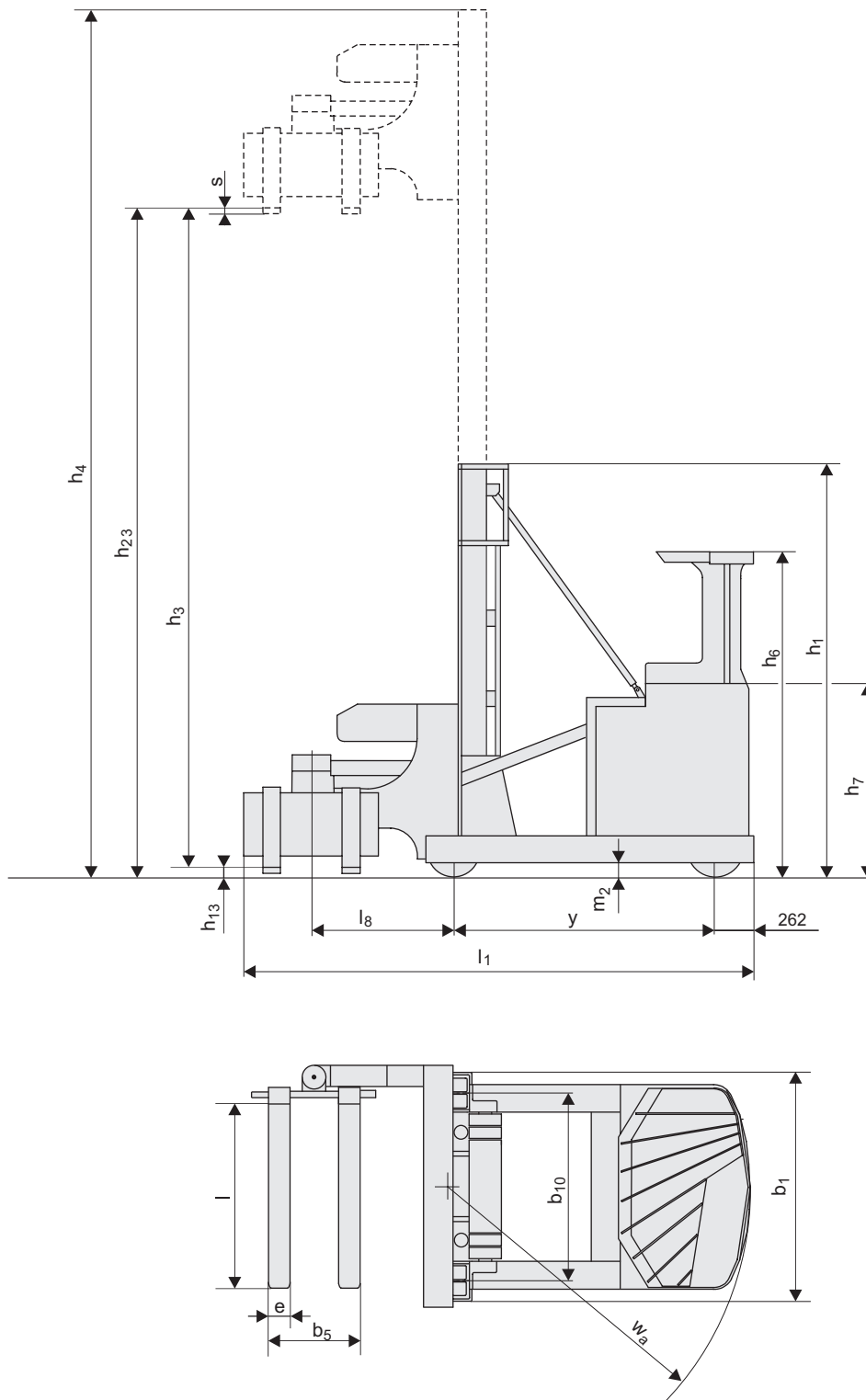
* Other dimensions available.

Truck performance and dimensions are nominal and subject to tolerances.

BT products and specifications are subject to change without notice.

Mast dimensions

| Mast | | | | Duplex Telescopic | | | | | |
|--------|-----------------------|----------|----|-------------------|------|------|------|------|------|
| VRE125 | Lift height | h_{23} | mm | 3600 | 4000 | 4850 | 5650 | 6300 | 6700 |
| | Lift | h_3 | mm | 3520 | 3920 | 4770 | 5570 | 6220 | 6620 |
| | Height, mast lowered | h_1 | mm | 2920 | 3120 | 3553 | 3953 | 4487 | 4687 |
| | Height, mast extended | h_4 | mm | 4685 | 5085 | 5950 | 6750 | 7618 | 8018 |



Truck features:

- Total view concept
- Car pedal layout
- Automatic parking brake
- TLC, Transitional Lift Control
- 360° steering
- Simultaneous hydraulic control
- Single function levers or multi function control
- Heavy duty drive unit and gear box

